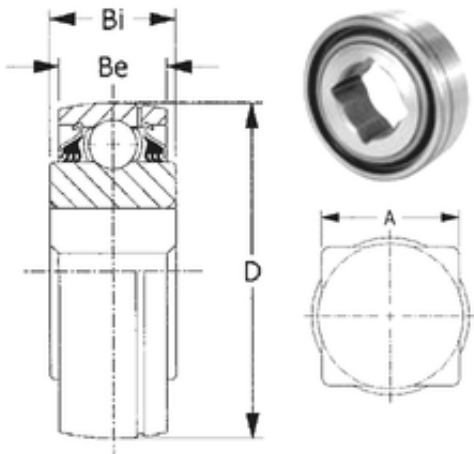




**CYSD GW208PPB8 deep groove ball bearings**

Bearing No. GW208PPB8



GW208PPB8 Bearing 2D drawings and 3D CAD models

Size	28.575x80x36.52 mm
Bore Diameter	28,575 mm
Outer Diameter	80 mm
Width	36,52 mm
d	28,575 mm
D	80 mm
B	36,52 mm
C	30,175 mm
Be	30,175 mm
Bi	36,52 mm