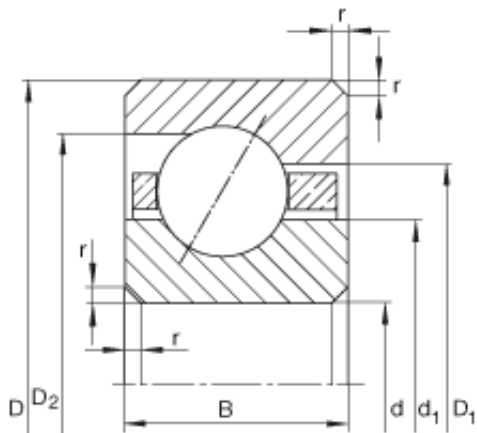




INA CSEB035 deep groove ball bearings

Bearing No. CSEB035



CSEB035 Bearing 2D drawings and 3D CAD models

Size	88.9x104.775x7.938 mm
Bore Diameter	88,9 mm
Outer Diameter	104,775 mm
Width	7,938 mm
d	88,9 mm
d	3 1/2 inch
D	104,775 mm
B	7,938 mm
D <sub>1</sub>	98,9 mm
D <sub>2</sub>	100,7 mm
d <sub>1</sub>	94,8 mm
r <sub>min</sub>	1 mm
m	0,12 kg / Weight
C <sub>r</sub>	5800 N / Dynamic load rating (radial)
C <sub>0r</sub>	7100 N / Static load rating (radial)